

Electric Dehumidifier
ROSAHL
Product Specification

Model : RDHB-10J1



RYOSAI TECHNICA CO.,LTD.

1. Application

This specification document is applied to model RDHB-10J1 of Electric Dehumidifier "ROSAHL".

2. Outline / Connecting diagram between units

1) Dehumidifying unit (Model name : S-10J1)

Drawing No. : RB-RA0X0020 (Refer to page 5)

2) Power supply unit (Model name : D-3010JW)

Drawing No. : RB-RA0X0021 (Refer to page 6)

3) Connection diagram between units

Refer to Fig.1

3. Specifications

- 1) Applicable Volume : ~ 4.0 m³
- 2) Input Voltage : 100V / 200V AC (85 ~ 264V AC)
- 3) Power Consumption : 14W (at 20 deg C, 60%RH)
- 4) Dielectric strength : 2000V AC (1 minute)
- 5) Weight : Dehumidifying unit 0.7 kg
Power supply unit 0.9 kg
- 6) Operating Temperature : -10 ~ 50 deg C
- 7) Operating Humidity : 90%RH or less
- 8) Storage Temperature : -20 ~ 60 deg C
- 9) Storage Humidity : 90%RH or less
- 10) RoHS Directive : Less than the legal limit of the ten substances

4. Dehumidifying Performance

29g/day (at 30 deg C, 60%RH) *at the shipment

5. Life

The dehumidifying performance will reduce during use. (How much it reduces depends on the operating environment and conditions.)

By the specifications of the applied product, the permissible level of the degradation of the Dehumidifier changes, therefore the life is defined as half-life of performance.

Half-life of performance : About 4~6 years

*Continuously operation at 18 deg C (Annual average temperature in Japan)

6. Indication * Indicated the following items.

- 1) Model Name
- 2) Rated Voltage
- 3) Fuse Capacity
- 4) Manufacturing Number
- 5) Manufacturing Year

7. Delivery Inspection *Tested the following inspection items.

- 1) Appearance
- 2) Power Supply Operation
- 3) Dehumidifying Performance
- 4) Indication
- 5) State of Packaging

8. Packaging Specifications

ROSAHL are packed in the box to avoid breakage failure while transport.

9. Precautions for Use of ROSAHL

- 1) Confirm the dehumidifying / humidifying surface of a membrane not to get a wrong direction before installation. Attaching ROSAHL by mistake will adversely affect several things in the container.
- 2) Attach ROSAHL in the center of the inner side surface of a container with a gasket.
(Do not attach it on a top or bottom surface.)
- 3) A container must be an airtightness container. If a container has low airtightness and moisture-permeable material, the results may not be what you expected.
- 4) The water vapor goes through a membrane of ROSAHL. If you switch off a power supply, outside water vapor is returned into a container and the humidity is restored.
- 5) If you use ROSAHL with a gasket that contains an antioxidant, crystal materials may be generated on the surface of a membrane. When you choose a gasket, evaluate it enough.
- 6) Do not use silicon-based sealing materials to improve airtightness of a container.
(Silicon-based sealing materials generate oxime gas and siloxane gas.
As a result, the performance of ROSAHL reduces in a short term.)
Additionally, when using any other sealing materials, ROSAHL must be attached after sealing materials are completely cured. Volatile substances generated during curing affect the performance of ROSAHL.
[Recommended products] : modified silicon caulk (Konishi Co., Ltd.)
- 7) Do not expose a moisture discharging side of a membrane to water. When using outdoors, be sure to attach a rainproof cover (option parts) or a cover to protect a membrane from water or insects.
- 8) Attach a moisture-permeable sheet to a membrane to protect ROSAHL from much dust or oil mists.
[Recommended products] : Vent Filter TEMISH S-NTF2131A-S06 (Nitto Denko Corporation)
- 9) Keep the moisture discharging side of a membrane well ventilated.
- 10) Do not use ROSAHL with vapor phase corrosion inhibitor or insect repellent.
Do not use ROSAHL in a place having high density of organic gas.
- 11) Do not do remodeling. ROSAHL may break down.

[Precautions in the Use for the Storage Cabinet]

1. When you use ROSAHL to dehumidify into the storage cabinet, do not store volatile rust preventive or things that organic gas volatilizes. The volatile gas which is released from goods reacted at a membrane's anode and new harmful gas is produced. As a result, not only it causes decrease in performance of the ROSAHL, but also it might adversely affect on goods in the storage cabinet. We cannot guarantee even if harm occurs to the stored valuables under the influence of new produced gas.
Please evaluate enough when you use ROSAHL for the storage cabinet.
2. The maker who produces and sells storage cabinet equipped with ROSAHL should explain that enough for end users using the storage cabinet.

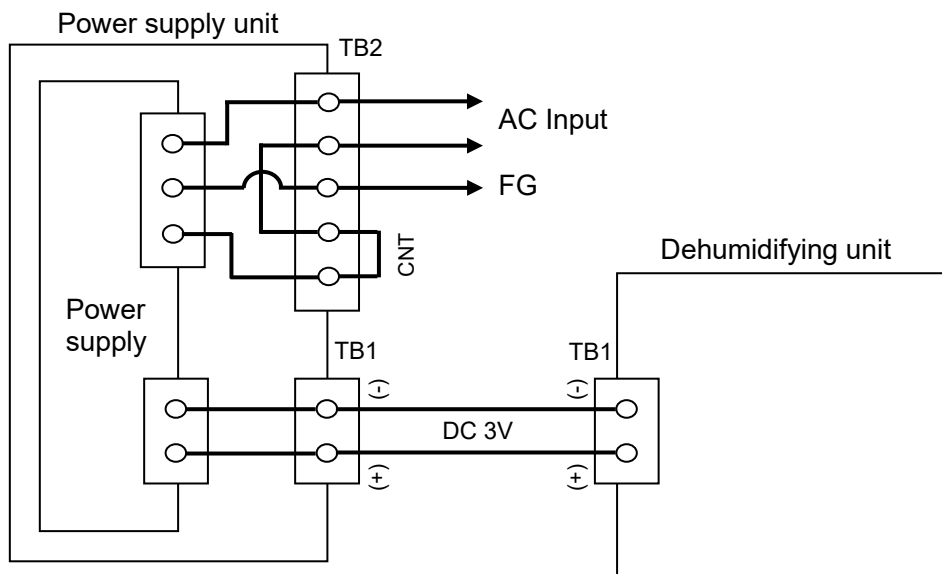
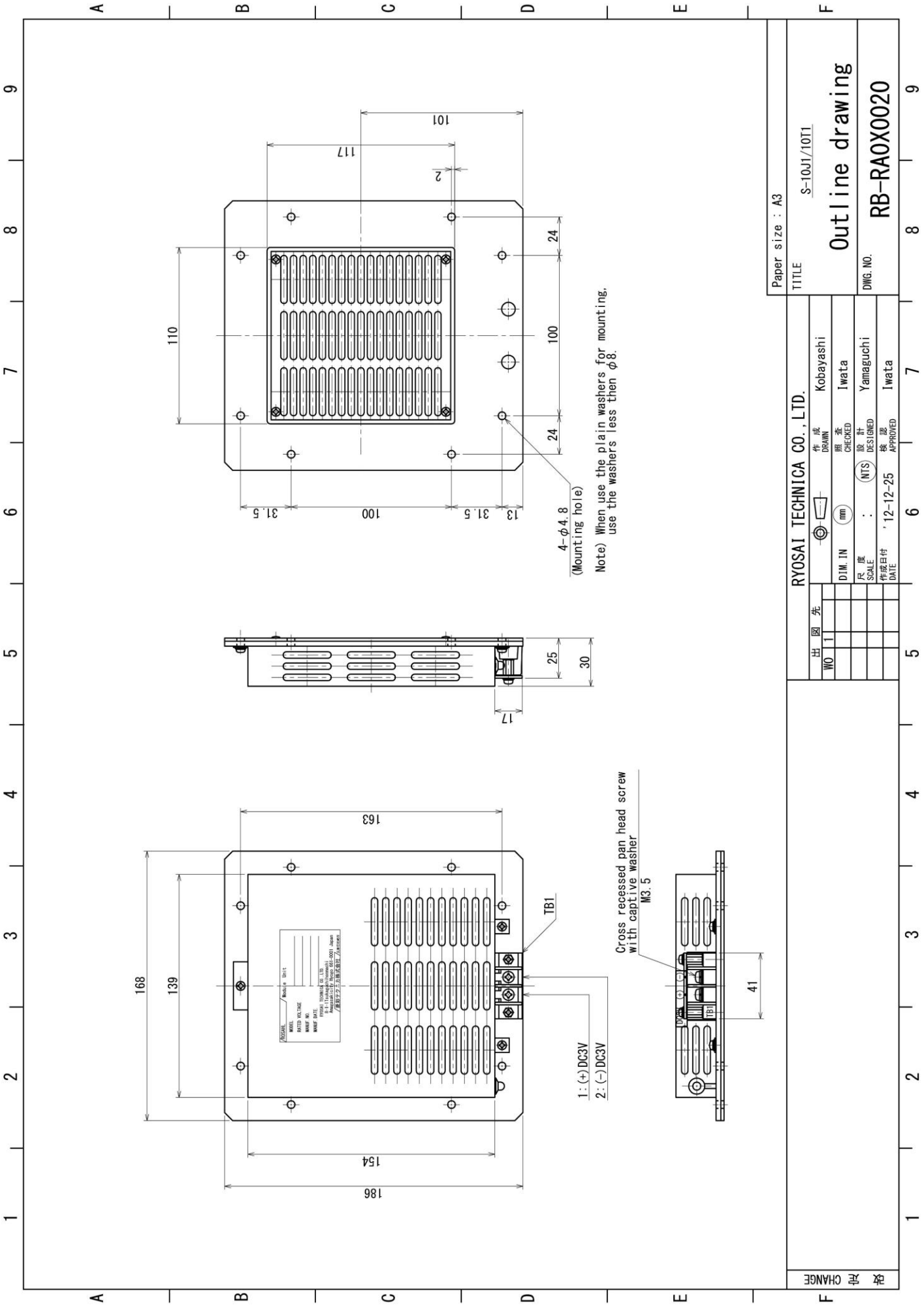


Fig.1 Connection diagram between units (Without humidity controller unit)

*** NOTE**

Electric wire length between power supply unit and dehumidifying unit must be 2m or less, 300V vinyl insulation electric wire 2mm².

(When electric wire length is 50cm or less, electric wire 1.25mm² is available.)



RYOSAI TECHNICA CO., LTD.
 作成 DRWN Kobayashi
 照査 CHECKED Iwata
 尺慮 DIM. IN (mm)
 尺慮 SCALE : (NTS)
 作成日付 DATE '12-12-25
 承認者 APPROVED Yamaguchi
 承認 DATE Iwata

Outline drawing
 RB-RAOX0020

Paper size : A3

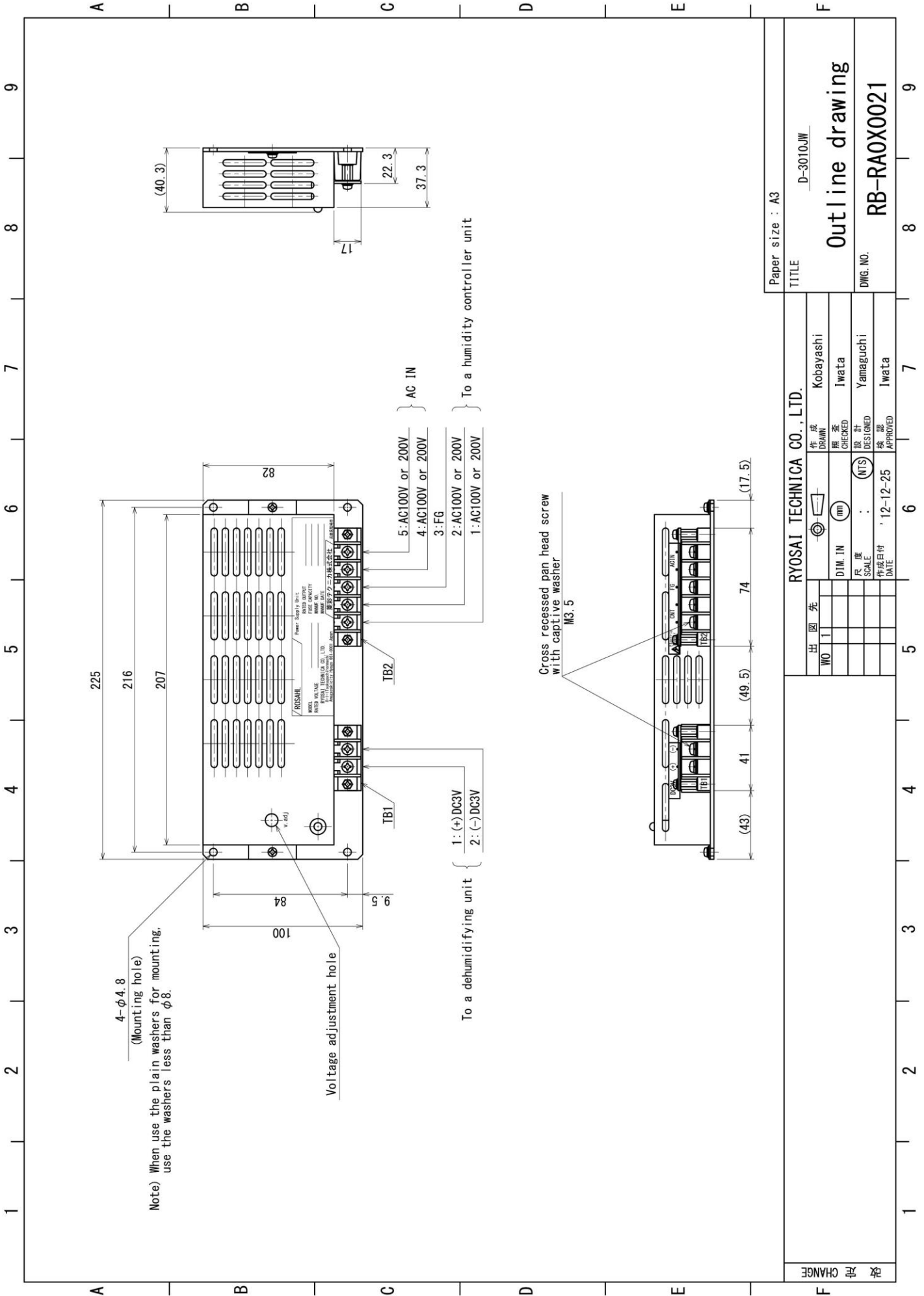
TITLE S-10JI/10TI

出	先	WO	1
尺慮	尺慮	尺慮	尺慮
作成日付	DATE	'12-12-25	
承認者	APPROVED	Iwata	

RYOSAI TECHNICA CO., LTD.
 作成 DRWN Kobayashi
 照査 CHECKED Iwata
 尺慮 DIM. IN (mm)
 尺慮 SCALE : (NTS)
 作成日付 DATE '12-12-25
 承認者 APPROVED Yamaguchi
 承認 DATE Iwata

出	先	WO	1
尺慮	尺慮	尺慮	尺慮
作成日付	DATE	'12-12-25	
承認者	APPROVED	Iwata	

改訂
CHANGE



Paper size : A3	
TITLE	D-3010JW
Outline drawing	
DWG. NO.	RB-RA0X0021

RYOSAI TECHNICA CO., LTD.	
出 国 先	体 成
WO 1	DRWIN Kobayashi
	照 査 Iwata
	CHECKED
	尺 度
	SCALE : (NTS)
	DESIGNED Yamaguchi
	作 成 日 付 '12-12-25
	DATE
	接 認 Iwata
	APPROVED